

◆ Features:

- Adjustable colour temp
- Built-in lens 165°
- Chain of 20 pcs.
- IP 64 waterproof, injection molded
- Internal current stabilization (CC)
- Built-in heat sink plate
- 5 years warranty

◆ Applications:

- 3D channel letters, signage
- ceiling lighting
- Advertising lightboxes with a min dept 5cm
- POS systems

◆ Photos:

CE RoHS

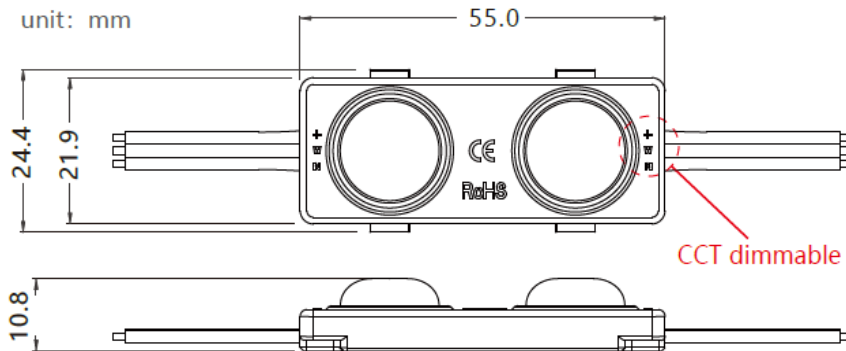




MW-MLD-CCT-2WW/W-LENS-24V

Power	Rated voltage	24Vdc +/- 5%
	Power consumption	1W (LED) 2W (module)
	Current consumption of one module	0.08A
	Power consumption of chain	40W (module max) (power consumption depends on LED controller settings)
LEDs	Dimensions of LEDs	2835
	Number of diodes in module	2
	Color of Light	WW/W (2700-6500K) multu-white adjustable
	Flux	160lm max
	Luminous efficacy	80lm/W
	Beam angle	165°
	Lifetime	50K hours
Connection	Soldering	Yes
	Screw and spring clamps	Yes
Wires	Wire length	100 mm
	Wires designation	red (common+) White (cool wite-) black (warm white -)
Properties	Protection	IP 64
	Working temperature	-25°C ... 50°C
Dimensions	Height, width, length	10,8 x 21,9 x 55 mm
Montage	Bonding	Yes
	Screwing	none
	Track guide	Alu profile MW-MLD-CCT-ALU-RW-1200
	Hole size	none
Others	Housing material	ABS
	Number of modules per 1 m	6 pcs.
Packing	Chain	20 pcs. (3,1m)
	Bag	120 pcs
	Box	7200/1440pcs

◆ DIMENSIONS :



◆ COLOUR TEMP RANGE

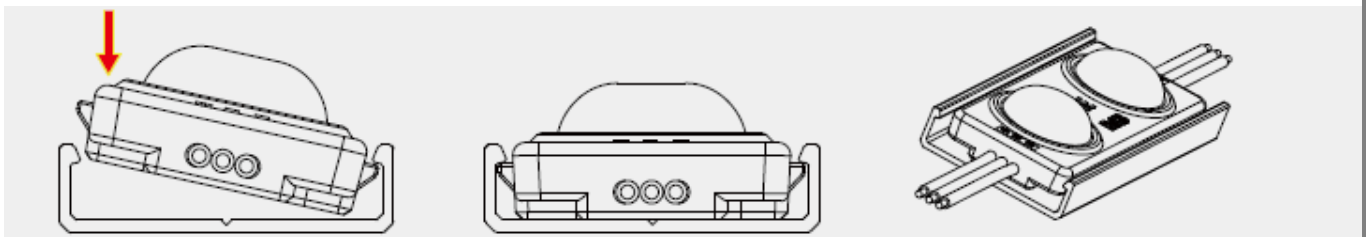


◆ **TABLE OF SELECTION OF MODULES FOR GPV POWER SUPPLIES**

Power supply	GPV-12-12	GPV-18-12	GPV-20-12	GPV-35-12	GPV-50-12	GPV-60-12
Number of modules	5	8	11	16	22	27
Power supply	GPV-75-12	GPV-100-12	GPV-120-12	GPV-150-12	GPV-200-12	
Number of modules	34	46	55	70	97	

◆ **ALU TRACK GUIDE**

PROFIL MW-MLD-CCT-ALU-RW-1200



DIMMENSION: 26,3 x 6,9MM

LENGHT: 1200MM